



# Standard Practice for Resistance to Wind-Driven Rain for Exterior Coatings Applied on Masonry<sup>1</sup>

This standard is issued under the fixed designation D6904; the number immediately following the designation indicates the year of original adoption or, in the case of revision, the year of last revision. A number in parentheses indicates the year of last reapproval. A superscript epsilon ( $\epsilon$ ) indicates an editorial change since the last revision or reapproval.

## 1. Scope

1.1 This practice is for the evaluation of the ability of coatings to resist the passage of water through masonry block when exposed to water spray and air pressure.

1.2 The values stated in inch-pound units are to be regarded as standard. The values given in parentheses are mathematical conversions to SI units that are provided for information only and are not considered standard.

1.3 *This standard does not purport to address all of the safety concerns, if any, associated with its use. It is the responsibility of the user of this standard to establish appropriate safety and health practices and determine the applicability of regulatory limitations prior to use.*

## 2. Referenced Documents

2.1 *ASTM Standards:*<sup>2</sup>

D1475 Test Method For Density of Liquid Coatings, Inks, and Related Products

D3924 Specification for Environment for Conditioning and Testing Paint, Varnish, Lacquer, and Related Materials

D3925 Practice for Sampling Liquid Paints and Related Pigmented Coatings

2.2 *Federal Standard:*

TT-C-555B Coating, Textured (For Interior and Exterior Masonry Surfaces)<sup>3</sup>

## 3. Summary of Practice

3.1 Typically 8 by 16 by 2 in. masonry blocks are coated with block filler and then coated with the masonry paint and allowed to cure. The coated blocks are then secured to a test

<sup>1</sup> This practice is under the jurisdiction of ASTM Committee D01 on Paint and Related Coatings, Materials, and Applications and is the direct responsibility of Subcommittee D01.47 on Concrete, Stone and Masonry Treatments.

Current edition approved Nov. 1, 2007. Published November 2007. Originally approved in 2003. Last previous edition approved in 2003 as D6904 - 03. DOI: 10.1520/D6904-03R07.

<sup>2</sup> For referenced ASTM standards, visit the ASTM website, www.astm.org, or contact ASTM Customer Service at service@astm.org. For *Annual Book of ASTM Standards* volume information, refer to the standard's Document Summary page on the ASTM website.

<sup>3</sup> Available from U.S. Government Printing Office Superintendent of Documents, 732 N. Capitol St., NW, Mail Stop: SDE, Washington, DC 20401, http://www.access.gpo.gov.

apparatus and exposed for 24 h to continuous water spray and air pressure or as agreed upon between manufacturer and supplier. Upon completion of the exposure, the blocks are removed, evaluated for visible water leaks or weight gain, or both.

## 4. Significance and Use

4.1 This practice is meant to simulate the ability of a coating system applied to a masonry block to withstand exposure to continuous water spray (rain) and a dynamic pressure equivalent to a 98 mph wind velocity without exhibiting water leaks or weight gain, or both.

## 5. Apparatus

5.1 The testing box is assembled from transparent plastic panels 1/2-in. thick and typically of the dimensions as shown in Fig. 1. Three openings on the side, 6 by 12 in., are provided so that the coated side of the three blocks may be positioned for test. The openings on the top of the apparatus for the air inlet and manometer connection shall not be less than 3 in. apart to make certain that air inlet turbulence will not effect the manometer readings. A spray tube shall be constructed from 1/2-in. plastic tubing with three fish-tail nozzles.<sup>4</sup> Attachment to the testing box includes a water-filled U-tube manometer, source of compressed air, clamps and angle irons for securely fastening the test panels to the box, and a drain outlet. Also, illustrated is a simple air pressure regulator consisting of a T-tube with the leg (foot) of the tube placed in a water filled beaker at a depth of slightly greater than 5 in. This set up is also a safety device. Any sudden increase in air pressure will be vented harmlessly. The apparatus outlined above was derived from that shown in Federal Specification TT-C-555B. Apparatus and substrates of other dimensions can be used as agreed upon between manufacturer and supplier. The duration of exposure and water pressure used will also be agreed upon between manufacturer and user.

## 6. Reagents and Materials

6.1 *Three 8 by 16 by 2 in. Patio Blocks.*

<sup>4</sup> Federal Specification TT-C-555B, Amendment No. 1, dated August 5, 1975, U.S. Government Printing Office.

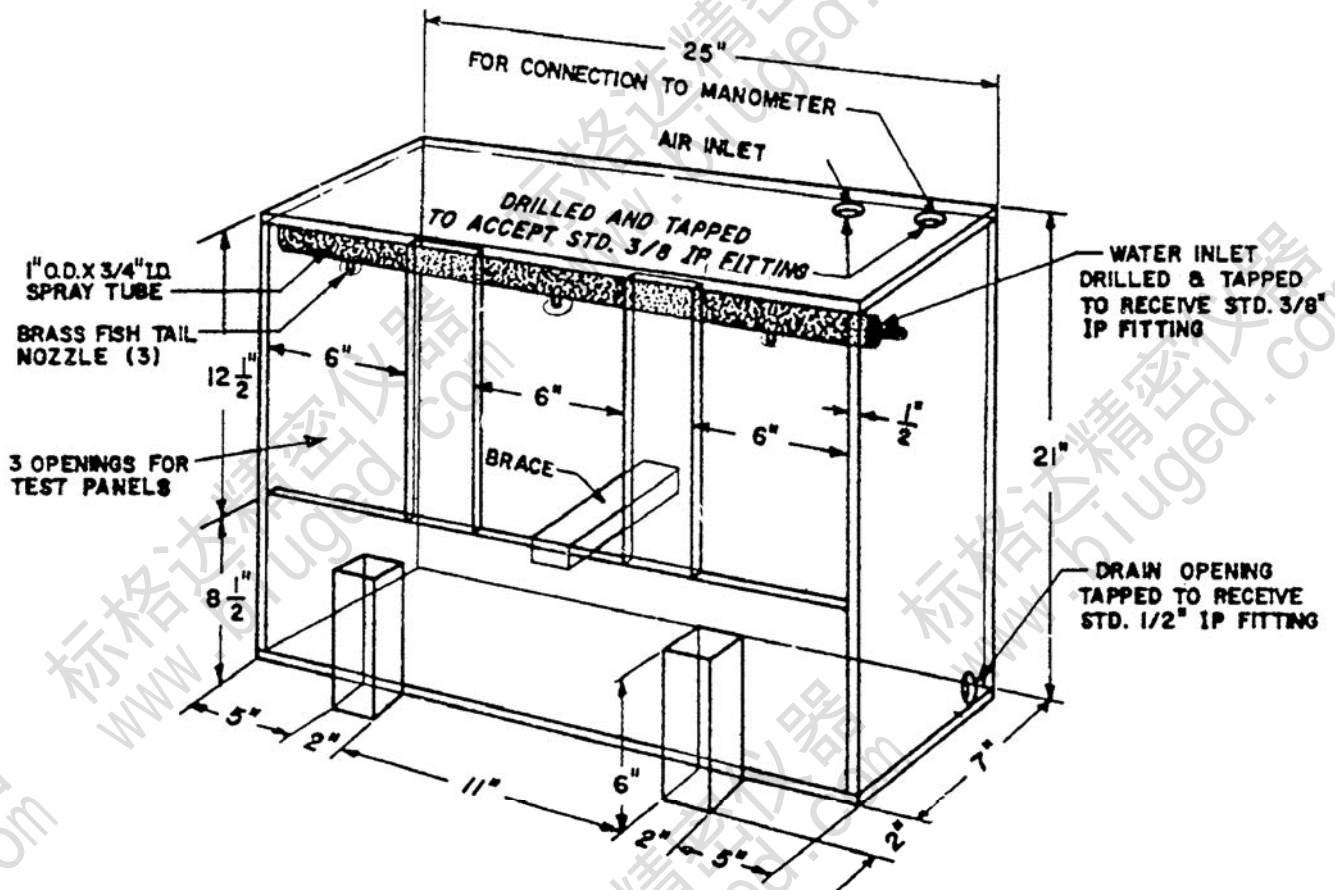


FIG. 1 Dimensions of Test Box

6.2 Stiff Bristle Brush.

6.3 Mortite or Rubber Gasket, to assure a tight fit of the patio blocks to the test apparatus.

6.4 Clamps and Angle Irons.

6.5 Wind-Driven Rain Apparatus, (an example is shown in Fig. 1).

6.6 Source of Compressed Air.

6.7 Water Source.

## 7. Sampling

7.1 Sampling of both block filler, if used, and topcoat shall be conducted in accordance with procedures outlined in Practice D3925.

## 8. Procedure

8.1 Prepare patio blocks by using a stiff bristle brush to remove any loose materials.

8.2 Assure that blocks are dried and have been stored in an area under standard conditions of  $73.5 \pm 3.5^\circ\text{F}$  ( $23 \pm 2^\circ\text{C}$ ) and  $50 \pm 5\%$  relative humidity as outlined in Specification D3924.

8.3 Apply block filler, if required, in accordance with manufacturers instructions or at a recommended spreading rate of  $100 \pm 10 \text{ ft}^2/\text{gal}$  to three blocks. It may be advisable to use

a scrub brush for this application to assure that all the voids in the block are filled before applying the test coat. Determine the density of the block filler in accordance with procedures outlined in Test Method D1475 and apply the coating at the spreading rate specified using the following equation:

$$\text{Grams of Paint Needed} = \frac{454 \times \text{Density (lb/gal)} \times \text{Area in.}^2 \text{ (Block)}}{144 \times \text{Spreading Rate (ft}^2/\text{gal)}} \quad (1)$$

NOTE 1—A block filler may not be suitable for all coatings applications, such as clear water repellents.

8.4 Allow block filler to dry at least overnight or per manufacturers instructions.

8.5 Apply topcoat using a good quality nylon/polyester brush over the block filler at the manufacturers recommended spreading rate. Use the equation outlined in 8.3 to determine the amount of test paint needed.

8.6 Allow test blocks to dry for seven days at standard conditions, or as agreed upon between manufacturer and supplier.

8.7 The three coated masonry panels to be tested will be placed against the openings in the test box with the coated side facing the spray unit. Either rubber gaskets, a suitable caulking

compound or mortite may be used to provide an air and water tight seal. The angle irons shall be positioned and clamped tightly.

8.8 The water shall be started through the spray unit at a rate of between 60 and 70 gal/h, as measured by the water discharged.

8.9 After the drain opening is covered with discharging water, the air supply shall be adjusted so that pressure produced inside will be 5 in. as measured by the manometer. The test is made at 5 in. of water pressure, which is the equivalent dynamic pressure at 98 mph wind velocity.

8.10 Expose the test panels for 24 h to the above mentioned conditions, unless there is obvious water penetration of the coated panels sooner than that. Water penetration will be noted by visible water leaks or if the rear face on the coated block is damp.

8.11 If required, remove the test blocks from the apparatus and determine the gain in weight of the test block.

## 9. Interpretation of Results

9.1 The pass/fail criteria will be as agreed upon between manufacturer and user.

NOTE 2—Federal Specification TT-C-555B, from which this test method is derived, was intended for pigmented coatings and required that there be no visible water leaks, and if the rear face of the block is damp, the average gain in weight of the three 8 by 16 by 2 in. blocks shall be less than 0.2 lb.

NOTE 3—This practice has been used for clear concrete sealers. The duration of exposure and water pressure used will be agreed upon between manufacturer and user.

## 10. Report

10.1 Any visible water leaks.

10.2 Average weight gain of blocks, if required.

10.3 Block filler used.

10.4 Any deviations from the above practice.

## 11. Keywords

11.1 wind-driven rain resistance

*ASTM International takes no position respecting the validity of any patent rights asserted in connection with any item mentioned in this standard. Users of this standard are expressly advised that determination of the validity of any such patent rights, and the risk of infringement of such rights, are entirely their own responsibility.*

*This standard is subject to revision at any time by the responsible technical committee and must be reviewed every five years and if not revised, either reapproved or withdrawn. Your comments are invited either for revision of this standard or for additional standards and should be addressed to ASTM International Headquarters. Your comments will receive careful consideration at a meeting of the responsible technical committee, which you may attend. If you feel that your comments have not received a fair hearing you should make your views known to the ASTM Committee on Standards, at the address shown below.*

*This standard is copyrighted by ASTM International, 100 Barr Harbor Drive, PO Box C700, West Conshohocken, PA 19428-2959, United States. Individual reprints (single or multiple copies) of this standard may be obtained by contacting ASTM at the above address or at 610-832-9585 (phone), 610-832-9555 (fax), or service@astm.org (e-mail); or through the ASTM website (www.astm.org). Permission rights to photocopy the standard may also be secured from the ASTM website (www.astm.org/COPYRIGHT).*